

SMD LED
(1204 RIGHT ANGLE TYPE)
Features:

- ✧ Small Size (3.2 x 1.5 x 1.0 mm)
- ✧ Industry Standard Footprint
- ✧ Compatible with IR Solder Process
- ✧ Available in 8 mm tape on 178 mm Diameter Reels
- ✧ Side emitting
- ✧ Several Colors Available

Applications:

- ✧ LCD backlighting
- ✧ Push-button / Keypad backlighting
- ✧ Symbol backlighting
- ✧ Strip lighting
- ✧ Automobile front panel indicating and backlighting
- ✧ Miniature Dot Matrix displays

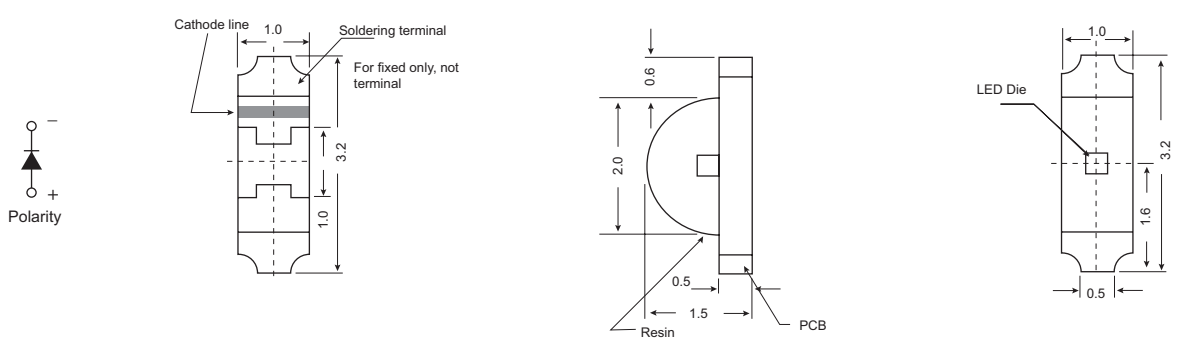
Absolute Maximum Ratings at T_A = 25°C

Reverse Voltage (<100 μA)	AlGaInP & AlGaAs 4.0 V, Others 5.0V
D.C. Forward Current	30mA
Pulse Current (1/10 Duty Cycle, 0.1ms Pulse Width)	100mA
Operating Temperature Range	-30°C To +85°C
Storage Temperature Range	-40°C To +85°C
Soldering Temperature	260°C For 5 Sec.

Electrical / Optical Characteristics at T_A = 25°C

Part Number	LED Chip Material	Emitting Color	Lens Color	Peak WaveLength @20 mA (nm)	Forward Voltage @20mA (V)		Luminous Intensity @20mA Iv(mcd)		View Angle 2θ _{1/2} (Deg)
					Typ.	Max.	Min.	Typ.	
GB-SM1204UROC-TR	AllnGaP	UB Red	W.C.	645	2.0	2.6	60.0	70.0	120
GB-SM1204UYGC-TR	AllnGaP	UB Yellow Green	W.C.	575	2.2	2.6	40.0	45.0	120
GB-SM1204UYC-TR	AllnGaP	UB Yellow	W.C.	593	2.1	2.6	50.0	60.0	120
GB-SM1204UAC-TR	AllnGaP	UB Amber	W.C.	610	2.1	2.6	60.0	75.0	120
GB-SM1204USC-TR	AllnGaP	UB Orange	W.C.	632	2.1	2.6	70.0	80.0	120
GB-SM1204UBC-TR	InGaN	Blue	W.C.	468	3.5	4.2	25.0	30.0	120
GB-SM1204UBGC-TR	InGaN	Bluish Green	W.C.	505	3.5	4.2	80.0	100	120
GB-SM1204UPGC-TR	InGaN	Pure Green	W.C.	525	3.5	4.2	80.0	100	120
GB-SM1204UWC-TR	InGaN	White	W.C.	X=0.29 Y=0.31	3.5	4.2	80.0	100	120

W.C. = WATER CLEAR

Package Outline And Tape Dimension


Cathode line 1.0 Soldering terminal
 For fixed only, not terminal
 Polarity
 Resin PCB
 LED Die
 3,000 pcs per Reel

☆ Polarity reversed for SB RED (GB-SM1204URC-TR)
 NOTE: ALL DIMENSIONS ARE IN mm, TOLERANCE IS ± 0.1mm UNLESS OTHERWISE NOTED.